

SPECIFICATIONS:

- FREQUENCY: 0.5 GHz TO 18 GHz
- INSERTION LOSS: REFLECTIVE: 2.5db
..... ABSORPTIVE: 3.5db
- ISOLATION: 0.5 GHz TO 2 GHz: 60db
..... 2 GHz TO 18 GHz: 70db
- VSWR: REFLECTIVE IN/OUT: 2.0:1
..... ABSORPTIVE IN/OUT: 2.0:1
..... ABSORPTIVE OUT/OFF: 2.0:1
- SPEED: RISE: 10ns TYPICAL, 15ns MAX.
..... FALL: 10ns TYPICAL, 15ns MAX.
..... DELAY ON: 75ns TYPICAL, 100ns MAX.
..... DELAY OFF: 75ns TYPICAL, 100ns MAX.
- POWER INPUT: (CW)+20dBm (STANDARD), +10 dBm (HIGH SPEED)
- SURVIVAL POWER: 1 WATT CW, 10 WATTS PEAK 1 usec
- CONTROL: TTL LOGIC "0"=ON "1"=OFF
- POWER SUPPLY: +5V @ 100 mA MAX.
..... -5V @ 75mA MAX.(RELECTIVE)
..... 100mA MAX.(ABSORPTIVE/NON-REFLECTIVE)

OPTIONS:

SINGLE CONTROL WITH SOLDER PIN STANDARD

IND-SP INDEPENDANT CONTROL WITH SOLDER PIN

10M18 10 MHz TO 18 GHz (INSERTION LOSS INCREASES BY 1.5db AT 10 MHz AND 0.5db AT 18 GHz)

100M18 100 MHz TO 18 GHz (INSERTION LOSS INCREASES BY 1.5db AT 100 MHz AND 0.5db AT 18 GHz)

118 1 GHz TO 18 GHz (NO CHANGE IN INSERTION LOSS)

218 2 GHz TO 18 GHz (NO CHANGE IN INSERTION LOSS)

412 4 GHz TO 12.4 GHz (NO CHANGE IN INSERTION LOSS)

618 6 GHz TO 18 GHz (NO CHANGE IN INSERTION LOSS)

1218 12 GHz TO 18 GHz (NO CHANGE IN INSERTION LOSS)

100M20 100 MHz TO 20 GHz (INSERTION LOSS INCREASES BY 1.5db AT 100 MHz AND 1.0db AT 20 GHz)

220 2 GHz TO 20 GHz (INSERTION LOSS INCREASES BY 1.0db AT 20 GHz)

1020 10 GHz TO 20 GHz (INSERTION LOSS INCREASES BY 1.0db AT 20 GHz)

B01 -12V POWER SUPPLIES

B02 -15V POWER SUPPLIES

B03 REVERSE LOGIC "1"=ON "0"=OFF

B04 DRIVERLESS, CURRENT CONTROLLED

B05 HIGH SPEED, TURNON/TURNOFF 20 nsec MAXIMUM WHEN APPLICABLE OR OPTION HS

B06 HIGH POWER - SPECIFY CW POWER, PEAK POWER, PULSE WIDTH, DUTY CYCLE, RF FREQUENCY AND BANDWIDTH

B07 CUSTOM DESIGNED PRODUCT- SPECIFY INITIALS OF CUSTOMER

B08 LOW VIDEO TRANSIENTS - SPECIFY VIDEO BANDWIDTH

B09 LOW INSERTION LOSS VERSION

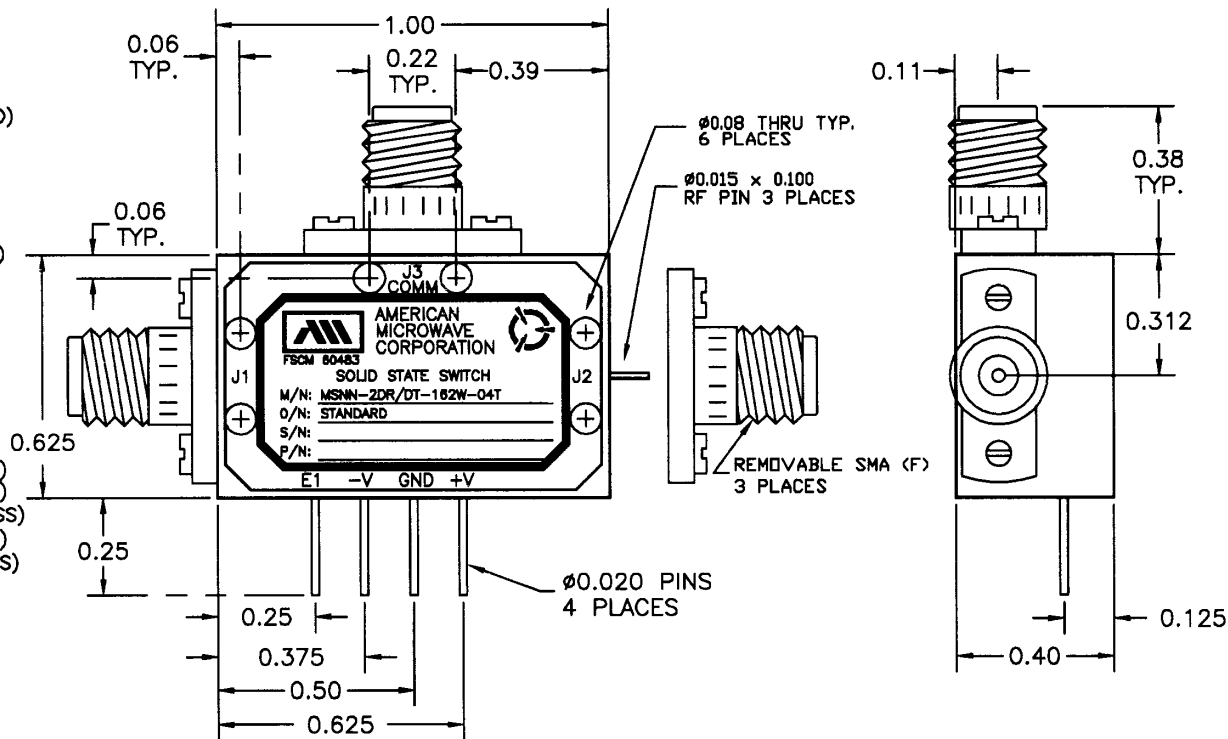
B10 HIGHER ISOLATION VERSION

ENVIRONMENTAL RATINGS:

- TEMPERATURE: -55°C TO +85°C (OPERATING)
..... -65°C TO +125°C (STORAGE)
- HUMIDITY: MIL-STD-202F, METHOD 103B COND. B
- SHOCK: MIL-STD-202F, METHOD 213B COND. B
- VIBRATION: MIL-STD-202F, METHOD 204D COND. B
- ALTITUDE: MIL-STD-202F, METHOD 105C COND. B
- TEMPERATURE CYCLE: MIL-STD-202F, METHOD 107D COND. A

NOTE: THE ABOVE SPECIFICATIONS ARE SUBJECT TO CHANGE OR REVISION

M/N=MODEL NUMBER
O/N=OPTION NUMBER
S/N=SERIAL NUMBER
P/N=PART NUMBER



NOTE:

DR=WITH DRIVER, REFLECTIVE

DT=WITH DRIVER, NON-REFLECTIVE/ABSORPTIVE

ALL DIMENSIONS ARE IN INCHES

TOLERANCES:

X.XX ±0.020

X.XXX ±0.010

PART NO.		AMERICAN MICROWAVE CORPORATION FREDERICK, MARYLAND	
APPROVALS	DATE	TITLE	
DRAWN	5/4/98	OUTLINE DRAWING	
CHECKED		MSNN-2DR/DT-162W-04T-STANDARD REFLECTIVE OR NON-REFLECTIVE/ABSORPTIVE SOLID STATE SWITCH	
ISSUED		SIZE	REV.
		A	60483
		DWG NO.	100-4400-1
		SCALE	SHEET 1 of 1

REVISIONS			
ZONE	REV.	DESCRIPTION	DATE
		ORIGINAL RELEASE	5/4/98